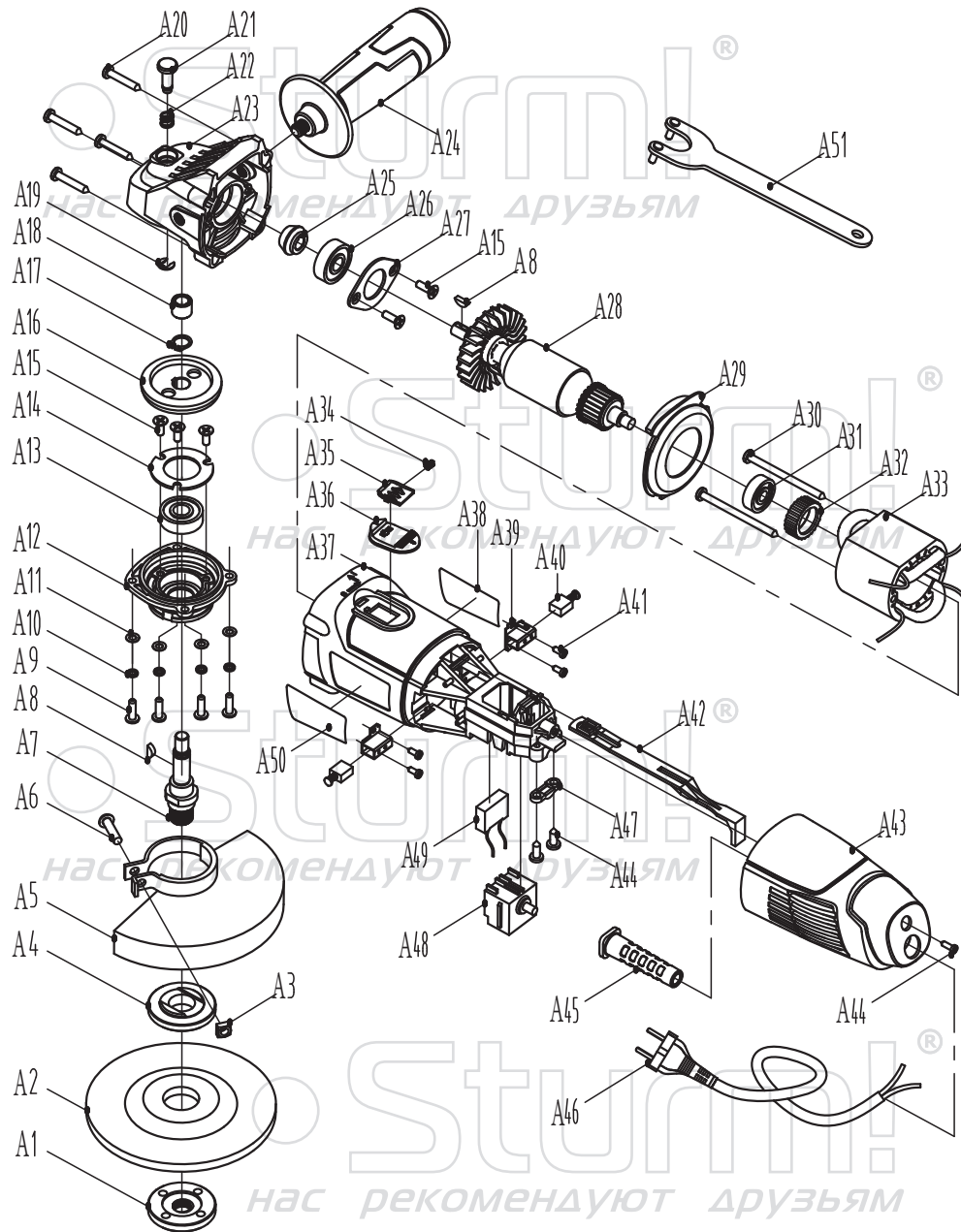


AG9011



NO.	DESCRIPTION	NO.	DESCRIPTION
A1	Clamping nut	A27	Bearing cover
A2	Grinding wheel	A28	Rotor
A3	Square nut M5	A29	Far Casing
A4	Mounting flange	A30	Tapping screw ST4. 2X55
A5	Wheel Guard	A31	Bearing627-2Z
A6	Pan head Screw M5X20	A32	Bearing Bush 608
A7	Grinder Spindle	A33	Stator
A8	Woodruff key 3X3. 8X10	A34	Little spring
A9	Pan head Screw M4X14	A35	Locking button
A10	Spring Washer	A36	Button
A11	Plain Washer 4	A37	Motor Housing
A12	Fore cover	A38	Trademark
A13	Bearing 6000-2Z	A39	Brush holder
A14	Bearing cover	A40	Carbon Brush
A15	Screw	A41	Tapping screw ST2. 9X8
A16	Gear	A42	Pull rod
A17	Split circlip ring 10	A43	Rear cover
A18	Oil bearing	A44	Tapping screw ST4. 2X12
A19	Split circlip ring 5	A45	Wire protection
A20	Tapping screw ST4. 2X25	A46	Power cord
A21	Locking pin	A47	Cord clamp
A22	Spring	A48	Switch
A23	Gear box	A49	Capacitance
A24	Auxiliary handle	A50	Nameplate
A25	Pinion	A51	Spanner
A26	Bearing 629-2Z		

RU-ST20160531 VER:2.1

Sturm!
нас рекомендуют друзья